



HC15 SPECIFICATIONS

BATTERY DESIGN

- Absorbent glass mat (AGM) technology
- 12V battery VRLA
- Can be mounted in any orientation except inverted.
- US DOT and IATA certified non-spillable
- Sealed Construction (Non-Spillable Battery)
- Can be fitted with TP brass automotive adaptor on request
- Shipped fully charged - just install and go!
- Suited for repeated discharges such as running your vehicle with winches or other electrical accessories.

PERFORMANCE FEATURES

- ✧ PHCA: 370A at 80°F (27°C) for 5 seconds
- ✧ PCCA: 210A at 0°F (-18°C) for 5 seconds
- ✧ CCA: 156A at 0°F (-18°C)
- ✧ CA/MCA: 190A at 32°F (0°C)
- ✧ HCA: 220A at 80°F (27°C)
- ✧ Reserve capacity: 25 minutes
- ✧ Short circuit current: 880A
- ✧ Operation temperature range: -5°F (-15°C) to 122°F (50°C)

Nominal Dimensions

| Length | | Width | | Height | | Total Height | | Weight | |
|--------|------|-------|------|--------|------|--------------|------|--------|-------|
| mm | in | mm | in | mm | in | mm | in | kg | pound |
| 200±2 | 7.87 | 78±2 | 3.07 | 134±2 | 5.25 | 138±2 | 5.43 | 5.55 | 12.24 |

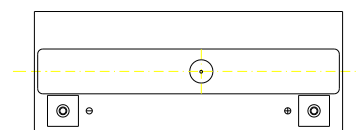
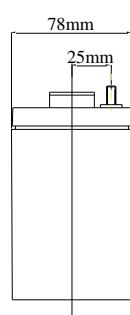
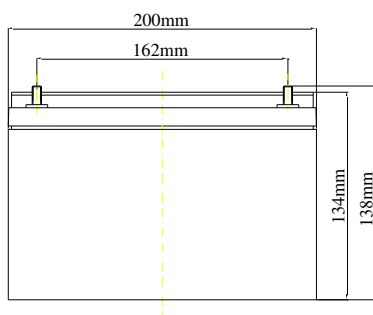
HIGH RATE DISCHARGE AT 77°F (25°C)

| 5 sec. | 10 sec. | 20 sec. | 30 sec. |
|--------|---------|---------|---------|
| 370A | 335A | 287A | 255A |

EXTENDED DISCHARGE AT 77°F (25°C) TO 10.02V

| 5min | 15min | 1hr | 3hr | 5hr | 10hr | 20hr |
|-------|-------|-------|-------|-------|-------|-------|
| 70.7A | 32.4A | 10.9A | 4.29A | 2.73A | 1.45A | 0.76A |

PHYSICAL CHARACTERISTICS



Terminal: M6M
unit:mm

